

iDS-TCM403-EIR

Radar-Assisted Smart Monitoring Camera

DarkFighter

DeepinView



- High performance ANPR bullet camera
- High quality imaging with 4 MP resolution(1/1.8" CMOS)
- Clear imaging against strong back light due to 140 dB WDR technology
- Excellent low-light performance with DarkFighter technology
- Motorized vari-focal lens for easy installation and monitoring
- Efficient H.265 compression technology
- Smart functions: supports license plate recognition (LPR), vehicle type, color, and manufacturer recognition, no-plate vehicle capture, driving direction detection, and motorcycle capture
- Built-in speed measurement radar, speed range: 10-100 km/h
- Scenarios: tunnel, toll station, urban road, parking entrance
- All-weather workable, free of influences from rain, snow, fog, wind, dust, illumination, etc



Superiority

- Dedicated camera for ANPR
 - HD resolution
 - Integrated IR
 - Professional shutter speed control
- Built-in ANPR engine, equipped with AI algorithm

Application

- Vehicle control
- Traffic monitoring
- Toll collection
- Security

Scenarios

- Enterprise campus
- Toll station
- Urban road
- Parking entrance

Smart Function

- Support vehicle model classification
- Support vehicle color identification
- Support no-plate vehicle capture
- Support driving direction detection
- Support motorcycle capture



▪ Specification

| Camera | iDS-TCM403-EIR/0411 | iDS-TCM403-EIR/0832 |
|-------------------------------------|--|---|
| Image Sensor | 1/1.8" progressive scan CMOS | |
| Max. Resolution | 2688 × 1520 | |
| Min. Illumination | Color: 0.001 Lux @ (F1.2, AGC ON) B/W: 0.0005 Lux with IR | |
| Shutter Time | 1/25 s to 1/100,000 s | |
| Slow Shutter | Supported | |
| Day & Night | IR cut filter | |
| Lens | | |
| Focal Length | 4-11 mm | 8-32 mm |
| Aperture | F1.38 | F1.63-1.8 |
| Focus | Auto | |
| Iris Type | DC drive | |
| FOV | Horizontal FOV: 114.7° to 41.9°; Vertical FOV: 59.4° to 23.6°; Diagonal FOV: 141.5° to 48.1° | Horizontal FOV: 39.7° to 15.9°; Vertical FOV: 22.3° to 9.1°; Diagonal FOV: 45.8° to 18.1° |
| Illuminator | | |
| Built-in Supplement Light Range | Up to 30 m | |
| IR Wavelength | 850 nm | |
| Supplement Detection (Radar) | | |
| Detection Distance | 20 to 50 m (motor vehicles) | |
| Speed Range | 10 to 100 km/h | |
| Horizontal Detection Angle | ± 22° | |
| Vertical Detection Angle | ± 10° | |
| Speed Measurement Accuracy | -2 to 2 km/h | |
| Video | | |
| Main Stream | 50 Hz: 25 fps (2688 × 1520, 1920 × 1080, 1280 × 720, 704 × 576, 352 × 288) 60 Hz: 30 fps (2688 × 1520, 1920 × 1080, 1280 × 720, 704 × 576, 352 × 288) | |
| Sub Stream | 50 Hz: 25 fps (1920 × 1080, 1280 × 720, 704 × 576, 352 × 288) 60 Hz: 30 fps (1920 × 1080, 1280 × 720, 704 × 576, 352 × 288) | |
| Third Stream | 50 Hz: 25 fps (1280 × 720, 704 × 576, 352 × 288) 60 Hz: 30 fps (1280 × 720, 704 × 480, 640 × 480) | |
| Video Compression | H.264 and H.265 encoding Main stream: H.265/H.264/MJPEG Sub-stream: H.265/H.264/MJPEG | |
| Video Bit Rate | 32 Kbps to 16 Mbps | |
| H.264 Type | Baseline profile/Main profile/High profile | |
| H.265 Type | Baseline profile/Main profile/High profile | |
| Network | | |
| Protocols | TCP/IP, HTTP, HTTPS, FTP, DNS, RTP, RTSP, RTCP, NTP, IPv6, UDP | |
| Simultaneous Live View | Up to 6 channels | |
| API | ISAPI, SDK | |
| User/Host | Up to 32 users 3 user levels: administrator, operator, and user | |

| | |
|---|---|
| Security | Password protection, HTTPS encryption, digest authentication for HTTP/HTTPS, digest authentication for ONVIF (Version 2.1) |
| Network Storage | Micro SD/TF card (128 GB), local storage and CVR, NVR, ANPR |
| Client | Hik-Central Master |
| Web Browser | IE7+ |
| Image | |
| Image Settings | Rotation mode, saturation, brightness, contrast, sharpness, AGC, and white balance are adjustable via client software or web browser. |
| Day/Night Switch | Auto/Scheduled/Triggered by alarm in |
| Wide Dynamic Range (WDR) | 140 dB |
| Image Enhancement | BLC, HLC, 3D DNR |
| Picture Overlay | Logo picture can be overlaid on video with 128 × 128 in 24-bit bmp format |
| Interface | |
| Video Output | Network |
| Ethernet Interface | 1 RJ45 10M/100M Ethernet interface |
| On-board Storage | Built-in microSD/TF card, up to 128 GB |
| Alarm | 1 output interface |
| RS-485 | 1 RS-485 interface,1 RS-232 interface |
| Event | |
| Basic Event | HDD Error, Network Disconnected, IP Address Conflicted, Vehicle Detector Exception, Traffic Light Detector Exception |
| Road Traffic and Vehicle Detection | |
| Smart Function | License plate recognition Vehicle type classification, color identification, no-plate vehicle capture, vehicle driving direction detection |

| | |
|--|--|
| <p>LPR Countries/Regions</p> | <p>Middle East: The United Arab Emirates (Abu Dhabi, Ajman, Dubai, Fujairah, Ras Al Khaimah, Sharjah and Umm Al Quwain), Qatar, Iran, Iraq, Egypt, Jordan, Kuwait, Saudi Arabia, Pakistan, Oman, Lebanon, Bahrain</p> <p>Africa: Nigeria, Kenya, Ivory Coast, South Africa, Tanzania, Mauritius, Morocco, Tunisia, Sierra Leone, Zambia, Ghana, Zimbabwe, Uganda, Angola, Ethiopia, Senegal, Algeria</p> <p>Asia-Pacific: Australia, New Zealand, Indonesia, Malaysia, Singapore, South Korea, Thailand, Vietnam, the Philippines, Hong Kong, Macao, Taiwan, Burma, India, Mongolia, Cambodia, Laos, Bangladesh</p> <p>America: The United States of America, Canada, Argentina, Chile, Paraguay, Uruguay, El Salvador, Bolivia, Colombia, Brazil, Ecuador, Peru, Mexico, Panama, Costa Rica, Trinidad and Tobago, the Dominican Republic, Guatemala</p> <p>Europe: Turkey, Croatia, Slovakia, Czech Republic, Bulgaria, the Republic of North Macedonia, Hungary, Greece, Poland, France, Netherlands, Switzerland, Spain, the UK, Ireland, Germany, Italy, Austria, Israel, Palestinian State, Belgium, Luxembourg, Albania, Kosovo</p> <p>Russian-Speaking Regions: Azerbaijan, Belarus, Kazakhstan, Lithuania, Georgia, Estonia, Latvia, Russia, Ukraine, Moldova, Uzbekistan, Kyrgyzstan, Armenia</p> |
| <p>Accuracy (Under recommended installation and lighting conditions)</p> | <p>Capture rate > 99%</p> <p>Driving direction recognition accuracy > 98.5%</p> <p>LPR accuracy > 98%</p> <p>Mistaken capture rate < 2%</p> <p>European and Russian-Speaking Regions: LPR accuracy > 98%</p> <p>Country/Region recognition accuracy > 95%</p> |
| <p>No License Plate Detection</p> | <p>Supported</p> |
| <p>Motorcycle LPR</p> | <p>Supported</p> |
| <p>Vehicle Type</p> | <p>Car/Van/Bus/Truck/Light Truck/SUV_MPV/Pickup/Pedestrian/Motorcycle/Tricycle</p> |
| <p>Vehicle Color</p> | <p>Red, yellow, green, blue, pink, purple, cyan, brown, white, grey, black</p> <p>Recognizable at daytime only.</p> |
| <p>Vehicle Manufacturer</p> | <p>84 manufacturers: Hyundai, Toyota, KIA, Honda, Volkswagen, Benz, Nissan, Ford, Isuzu, BMW, Chevrolet, Mitsubishi, Renault, Opel, Suzuki, Skoda, Daewoo, Audi, Mazda, GAC HINO, Peugeot, SsangYong, Citroen, Fiat, Scania, MAN, Volvo, Lexus, Seat, Land Rover, Daihatsu, Dongwo, Subaru, Iveco, MINI, JEEP, Porsche, Chery, Dodge, Chrysler, Acura, Alfa Romeo, Great Wall, Infiniti, Smart, Saic Maxus, JAC, Jaguar, GMC, Lincoln, JMC, SAAB, FAW, Yutong, Guangzhou Yunbao, Joylong, Geely, Cadillac, JBC, An'kai, Haima, Foton, King Long, Dongfeng, Geely-Emgrand, Perodua, UD, BYD, Renault Samsung, Proton, HICOM, Malaysia_Unknown 1, Hyundai-Rohens, SsangYong-Old Version, Equus-Old Version, CNHTC, Rolls-Royce, Beiben Truck, Haval, Hino, Kia-Borrego, Chang'an, Alfa, FORO</p> |
| <p>Capture Speed Range</p> | <p>10 to 100 km/h</p> |

General

| | |
|---------------------|---|
| Firmware Version | V5.0.2 |
| Operating System | Linux |
| Power | 12 VDC to 24 VDC \pm 20%, Max. 12 W |
| Material | Aluminum alloy |
| Dimension | Without package: 115.5 mm (W) \times 184.3 mm (H) \times 298.6 mm (D) |
| Weight | Camera: approx. 2.5 \pm 0.5 kg (5.5 \pm 1.1 lb.) |
| Operating Condition | Temperature: -30 $^{\circ}$ C to +70 $^{\circ}$ C (-22 $^{\circ}$ F to +158 $^{\circ}$ F) , Humidity: 95% or less (non-condensing) |
| General Function | One-key reset, three streams, heartbeat, password protection, watermark |

Approval

| | |
|-------------|---------|
| EMC | CE, FCC |
| Environment | RoHS |
| Protection | IP67 |

* Listed resolutions are only selectable options. It does not mean that all streams can work at their maximum resolution at the same time.

▪ Available Model

iDS-TCM403-EIR/0411

iDS-TCM403-EIR/0832

* Please decide whether to use anti-corrosion devices or matched hoops and brackets according to the actual working environment.

▪ Application Scenario



Urban Road



Mixed Road



Entrance & Exit



Highway Toll Station

▪ Application Performance

- Urban road, mixed road, etc.



Day



Night



Day



Night

- Entrance & exit, highway toll station, etc.

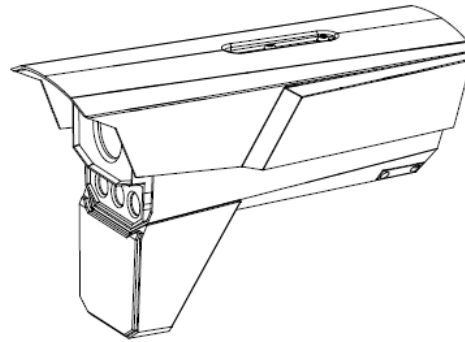
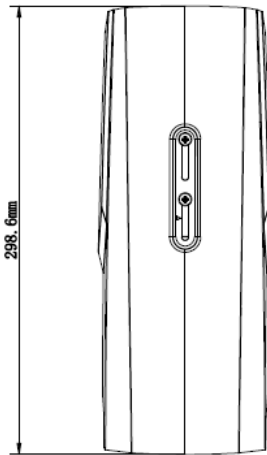
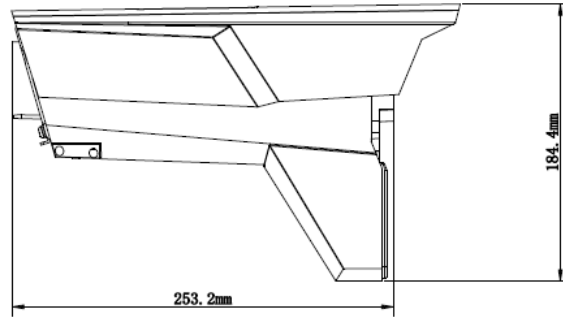
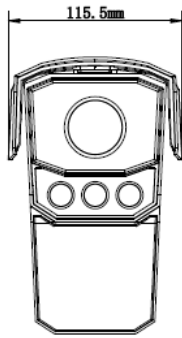


Day



Night

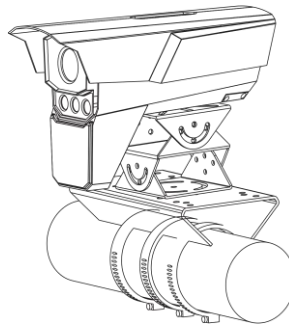
▪ Dimension



▪ **Accessory**

▪ **Optional**

**DS-1278ZJ-HWB/HG/60-300
Cross Bar Mounting Bracket**



Distributed by



HIKVISION®

Headquarters

No.555 Qianmo Road, Binjiang District,
Hangzhou 310051, China
T +86-571-8807-5998
overseasbusiness@hikvision.com

Hikvision USA
T +1-909-895-0400
sales.usa@hikvision.com

Hikvision Australia
T +61-2-8599-4233
salesau@hikvision.com

Hikvision India
T +91-22-28469900
sales@pramahikvision.com

Hikvision Canada
T +1-866-200-6690
sales.canada@hikvision.com

Hikvision Thailand
T +662-275-9949
sales.thailand@hikvision.com

Hikvision Europe
T +31-23-5542770
sales.eu@hikvision.com

Hikvision Italy
T +39-0438-6902
info.it@hikvision.com

Hikvision Brazil
T +55 11 3318-0050
Latam.support@hikvision.com

Hikvision Turkey
T +90 [216]521 7070- 7074
sales.tr@hikvision.com

Hikvision Malaysia
T +601-7652-2413
sales.my@hikvision.com

Hikvision UK & Ireland
T +01628-902140
sales.uk@hikvision.com

Hikvision South Africa
Tel: +27 (10) 0351172
sale.africa@hikvision.com

Hikvision France
T +33(0)1-85-330-450
info.fr@hikvision.com

Hikvision Kazakhstan
T +7-727-9730667
nikia.panfilov@hikvision.ru

Hikvision Vietnam
T +84-974270888
sales.vt@hikvision.com

Hikvision UAE
T +971-4-4432090
salesme@hikvision.com

Hikvision Singapore
T +65-6684-4718
sg@hikvision.com

Hikvision Spain
T +34-91-737-16-55
info.es@hikvision.com

Hikvision Tashkent
T +99-87-1238-9438
uzb@hikvision.ru

Hikvision Hong Kong
T +852-2151-1761
info.hk@hikvision.com

Hikvision Russia
T +7-495-669-67-99
saleru@hikvision.com

Hikvision Korea
T +82-(0)31-731-8817
sales.korea@hikvision.com

Hikvision Poland
T +48-22-460-01-50
info.pl@hikvision.com

Hikvision Indonesia
T +62-21-2933759
Sales.Indonesia@hikvision.com

Hikvision Colombia
sales.colombia@hikvision.com