

## DS-2CD1T83G2-LIU(F) 8 MP Smart Hybrid Light Fixed Bullet Network Camera



- High quality imaging with 8 MP resolution
- Support Human and Vehicle Detection
- Smart Hybrid Light: advanced technology with long range
- Efficient H.265+ compression technology
- Support on-board storage up to 512 GB (SD card slot) (Optional)
- Built-in microphone for real-time audio security
- Water and dust resistant (IP67)

## ▪ Specification

| Camera                      |  |
|-----------------------------|--|
| Image Sensor                | 1/2.7" Progressive Scan CMOS   |
| Max. Resolution             | 3840 × 2160  |
| Min. Illumination           | Color: 0.005 Lux @ (F1.6, AGC ON), B/W: 0 Lux with IR  |
| Shutter Time                | 1/3 s to 1/100,000 s   |
| Day & Night                 | IR cut filter  |
| Angle Adjustment            | Pan: 0° to 360°, tilt: 0° to 180°, rotate: 0° to 360°  |
| Lens                        |  |
| Lens Type                   | Fixed focal lens, 4 and 6 mm optional  |
| Iris Type                   | Fixed  |
| Focal Length & FOV          | 4 mm, horizontal FOV 90°, vertical FOV 49°, diagonal FOV 108°<br>6 mm, horizontal FOV 56°, vertical FOV 30°, diagonal FOV 65°  |
| Lens Mount                  | M12  |
| Aperture                    | F2.0   |
| DORI                        |  |
| DORI                        | 4 mm, D: 102 m, O: 40 m, R: 20 m, I: 10 m<br>6 mm, D: 170 m, O: 67 m, R: 34 m, I: 17 m   |
| Illuminator                 |  |
| Supplement Light Range      | Up to 50 m   |
| Smart Supplement Light      | Yes  |
| Supplement Light Type       | IR, White Light  |
| IR Wavelength               | 850 nm   |
| Video                       |  |
| Main Stream                 | 50 Hz:<br>12.5 fps (3840 × 2160, 3200 × 1800, 2688 × 1520, 1920 × 1080, 1280 × 720)<br>60 Hz:<br>15 fps (3840 × 2160, 3200 × 1800, 2688 × 1520, 1920 × 1080, 1280 × 720) |
| Sub-Stream                  | 50 Hz: 12.5 fps (1280 × 720, 640 × 480, 640 × 360)<br>60 Hz: 15 fps (1280 × 720, 640 × 480, 640 × 360)   |
| H.265 Type                  | Main Profile   |
| Video Compression           | Main stream: H.265+/H.265/H.264+/H.264,<br>Sub-stream: H.265/H.264/MJPEG   |
| Video Bit Rate              | 32 Kbps to 16 Mbps   |
| H.264 Type                  | Baseline Profile, Main Profile, High Profile   |
| Bit Rate Control            | CBR, VBR   |
| Region of Interest (ROI)    | 1 fixed region for main stream   |
| Scalable Video Coding (SVC) | H.264 and H.265 encoding   |
| Audio                       |  |
| Audio Bit Rate              | 64 Kbps (G.711ulaw/G.711alaw)/16 Kbps (G.722.1)/16 Kbps (G.726)/32 to 160 Kbps (MP2L2)/16 to 64 Kbps (AAC-LC)  |
| Audio Type                  | Mono sound   |
| Environment Noise Filtering | Yes  |
| Audio Sampling Rate         | 8 kHz/16 kHz   |
| Audio Compression           | G.711ulaw/G.711alaw/G.722.1/G.726/MP2L2/PCM/AAC-LC   |

| <b>Network</b>                   |  |
|----------------------------------|--|
| Web Browser                      | Plug-in required live view: IE 10, IE 11,<br>Local service: Chrome 57.0+, Firefox 52.0+, Edge 89+  |
| Client                           | iVMS-4200, Hik-Connect   |
| Simultaneous Live View           | Up to 6 channels   |
| Security                         | Password protection, complicated password, watermark, basic and digest authentication for HTTP, WSSE and digest authentication for Open Network Video Interface, security audit log, host authentication (MAC address) |
| API                              | Open Network Video Interface (Profile S, Profile T, Profile G (only -F model supports)), ISAPI, SDK  |
| Protocols                        | TCP/IP, ICMP, DHCP, DNS, HTTP, RTP, RTSP, NTP, IGMP, IPv6, UDP, QoS, FTP, SMTP, UPnP   |
| User/Host                        | Up to 32 users<br>3 user levels: administrator, operator, and user   |
| <b>Image</b>                     |  |
| Day/Night Switch                 | Day, Night, Auto, Schedule   |
| Image Enhancement                | BLC, HLC, 3D DNR   |
| Wide Dynamic Range (WDR)         | 120 dB   |
| SNR                              | ≥ 52 dB  |
| Image Settings                   | Rotate mode, saturation, brightness, contrast, sharpness, gain, white balance, adjustable by client software or web browser  |
| Privacy Mask                     | 4 programmable polygon privacy masks   |
| <b>Interface</b>                 |  |
| On-Board Storage                 | -F: Built-in memory card slot, support microSD/microSDHC/microSDXC card, up to 512 GB  |
| Built-in Microphone              | Yes  |
| Ethernet Interface               | 1 RJ45 10 M/100 M self-adaptive Ethernet port  |
| Reset Key                        | -F: Yes  |
| <b>Event</b>                     |  |
| Basic Event                      | Motion detection (support alarm triggering by specified target types (human and vehicle)), video tampering alarm, exception  |
| Linkage                          | Upload to FTP/memory card (-F), send email, notify surveillance center, trigger recording (-F), trigger capture  |
| <b>General</b>                   |  |
| Power                            | 12 VDC ± 25%, 0.54 A, max. 6.5 W, Ø5.5 mm coaxial power plug, reverse polarity protection,<br>PoE: IEEE 802.3af, Class 3, max. 7.5 W   |
| Material                         | Metal & Plastic  |
| Dimension                        | 83.7 mm × 80.7 mm × 205.6 mm (3.3" × 3.2" × 8.1")  |
| Package Dimension                | 260 mm × 125 mm × 125 mm (10.2" × 4.9" × 4.9")   |
| With Package Weight              | Approx. 635 g (1.4 lb.)  |
| Weight                           | Approx. 580 g (1.3 lb.)  |
| Storage Conditions               | -30 °C to 60 °C (-22 °F to 140 °F). Humidity 95% or less (non-condensing)  |
| Startup and Operating Conditions | -30 °C to 60 °C (-22 °F to 140 °F). Humidity 95% or less (non-condensing)  |
| Language                         | English, Ukrainian   |

|                  |   |
|------------------|---|
| General Function | Heartbeat, anti-banding, mirror, password protection, password reset via email  |
| <b>Approval</b>  |   |
| Protection       | IP67: IEC 60529-2013  |
| EMC              | CE-EMC: EN 55032:2015+A1:2020, EN 50130-4:2011+A1:2014, EN IEC 61000-3-2:2019+A1:2021, EN 61000-3-3:2013+A1:2019+A2:2021,<br>RCM: AS/NZS CISPR 32: 2015,<br>IC: ICES-003: Issue 7 |
| Safety           | UL: UL 62368-1,<br>CB: IEC 62368-1: 2014+A11,<br>CE-LVD: EN 62368-1: 2014/A11: 2017,<br>BIS: IS 13252 (Part 1): 2010/IEC 60950-1: 2005  |
| Environment      | CE-RoHS: 2011/65/EU,<br>WEEE: 2012/19/EU,<br>Reach: Regulation (EC) No 1907/2006  |

### ▪ Typical Application

Hikvision products are classified into three levels according to their anti-corrosion performance. Refer to the following description to choose for your using environment.

This model has NO SPECIFIC PROTECTION.

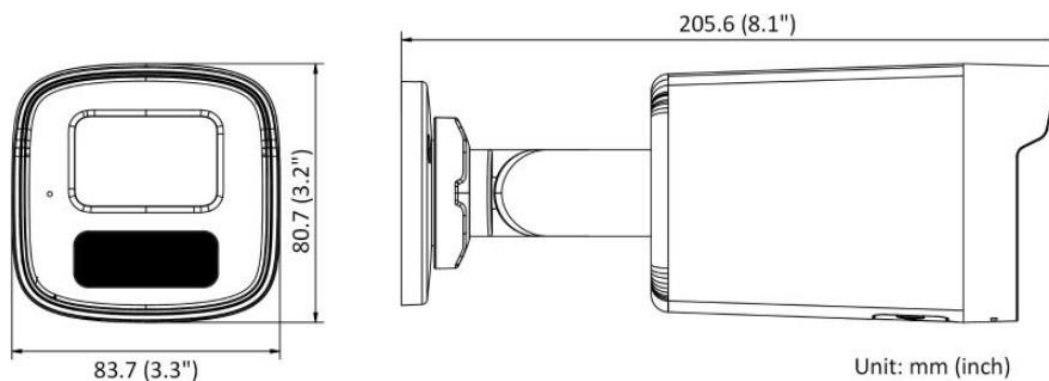
| Level                  | Description  |
|------------------------|--|
| Top-level protection   | Hikvision products at this level are equipped for use in areas where professional anti-corrosion protection is a must. Typical application scenarios include coastlines, docks, chemical plants, and more.   |
| Moderate protection    | Hikvision products at this level are equipped for use in areas with moderate anti-corrosion demands. Typical application scenarios include coastal areas about 2 kilometers (1.24 miles) away from coastlines, as well as areas affected by acid rain. |
| No specific protection | Hikvision products at this level are equipped for use in areas where no specific anti-corrosion protection is needed.  |

### ▪ Available Model

DS-2CD1T83G2-LIUF (4/6 mm)




DS-2CD1T83G2-LIU (4/6 mm)

▪ **Dimension**



▪ **Accessory**

▪ **Optional**

| DS-1280ZJ-XS<br>Junction Box  | DS-1276ZJ-SUS<br>Corner Mount   | DS-1275ZJ-SUS<br>Vertical Pole Mount  |
|---|---|---|
|  |  |  |

**Headquarters**

No.555 Qianmo Road, Binjiang District,  
Hangzhou 310051, China  
T +86-571-8807-5998  
www.hikvision.com



Follow us on social media to get the latest product and solution information.

